

**OMTER**

**OMTER ELEC&TECH**

Address: Block D, 11th floor, Jiaotong building, No.2 Ningkang west road, Yueqing city, Zhejiang, China.  
TEL : +86-577-27811881 FAX : +86-577-62591280  
Web: [Http://www.omter-tyxn.com](http://www.omter-tyxn.com) Email : [sales@omter-tyxn.com](mailto:sales@omter-tyxn.com)



■ May provide many kinds of axial lengths and the axial-tab terminal form.

■ High power, stable resistance.

■ packing in carton

**WX25 wire-wound potentiometer**

**ELECTRICAL :**

Standard resistance range : 2.2Ω-8.2KΩ

Terminal Resistance : ≤0.2%R or 0.1Ω

Insulation voltage : 1000V AC

Resistance Tolerance : ±10%

Insulation Resistance :  $R_i \geq 1G\Omega(500V DC)$

Max temperature : 300

**Environmental :**

Power Rating : 25W @ 85 , 0W @ 300

Vibration : 10---200HZ 40m/s<sup>2</sup>, 3h,  $R \leq \pm 3\%R$

Temperature **circle** : -55 , 30min , 85 , 30min, circle 3 times,  $R \leq \pm 3\%R$  ,  $R_i \geq 500M\Omega$

Humidity resistant : 40±2 , 95-98%R.H 48h ,  $R \leq \pm 3\%R$  ,  $R_i \geq 100M\Omega$

Life:  $R \leq 1K\Omega$  : 10000times,  $R > 1K\Omega$  : 1000times,  $R \leq \pm 5\%R$

Impact : 60---100 times/min , 150m/s<sup>2</sup> , 4000 times , contact in good condition.

Eccentricity : 150m/s<sup>2</sup> , 5min , 3 times (single direction, smooth, continuously)

Temperature range : -55 -----+300

**Physical feature :**

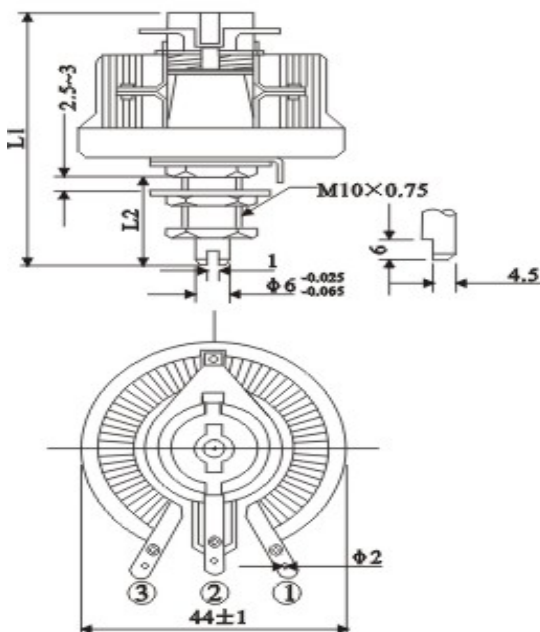
Total mechanical travel : 280°±10°

Starting torque : ≤0.15N·m

Symbol : Model, Standard Resistance, Resistance Tolerance, Production date, Log

Standard packing : 10pcs/carton

**尺寸**



**订购指南**

